

ERF4065 , UMTS antenna, SMA Male connector

Features

Electrical Properties

Parameter:	Description
Frequency Band:	824~894 MHz / 1300~1450 MHz / 1710~2150 MHz / 3150~3280 MHz
Nominal Impedance:	50 Ω
Polarization:	Linear
V.S.W.R.	< 2.5
Gain:	2 dBi



Mechanical Properties

Parameter:	Description
Antenna Type:	External Antenna
Mounting Method:	Screw Type
Connector Type:	SMA (Male)
Antenna Dimensions:	91.3 mm ± 1.5
Antenna Color:	Black
Operating Temperature Range:	-40°C~+85°C
Storage Temperature Range:	-40°C~+85°C

Typical applications

- M2M applications
- GSM
- GPRS
- 2G/3G

Description

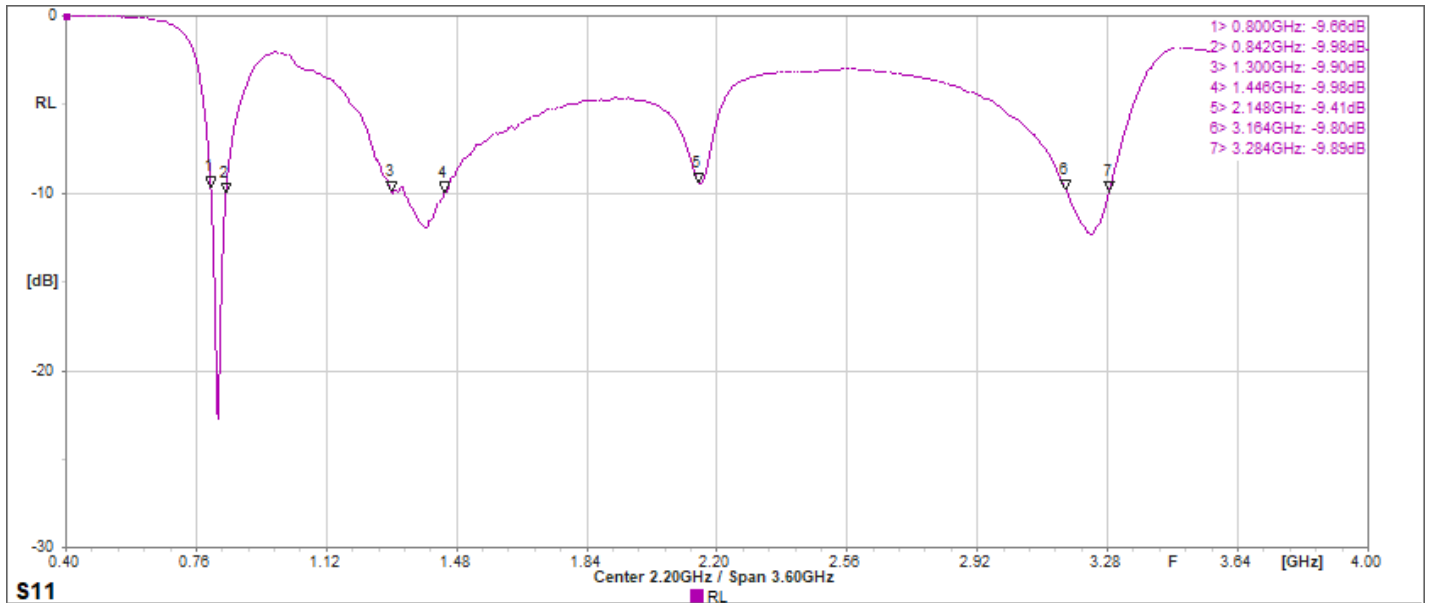
The ERF4065 Antenna is a black UMTS antenna with SMA (Male) connector. The antenna can also be used in the frequency band of: 1300~1450 MHz and 3150~3280 MHz.

The antenna can be used for applications such as, M2M applications, GSM , GPRS and 2G/3G.

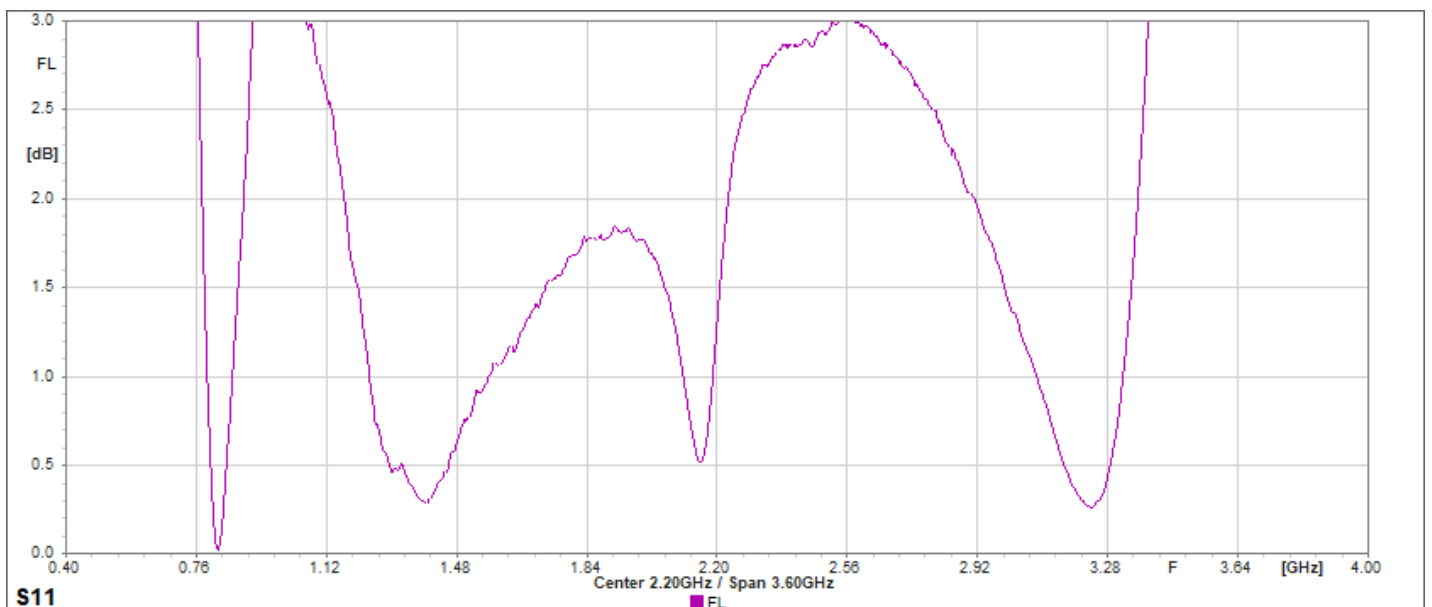
ERF4065 , UMTS antenna, SMA Male connector

Antenna Properties

Return Loss

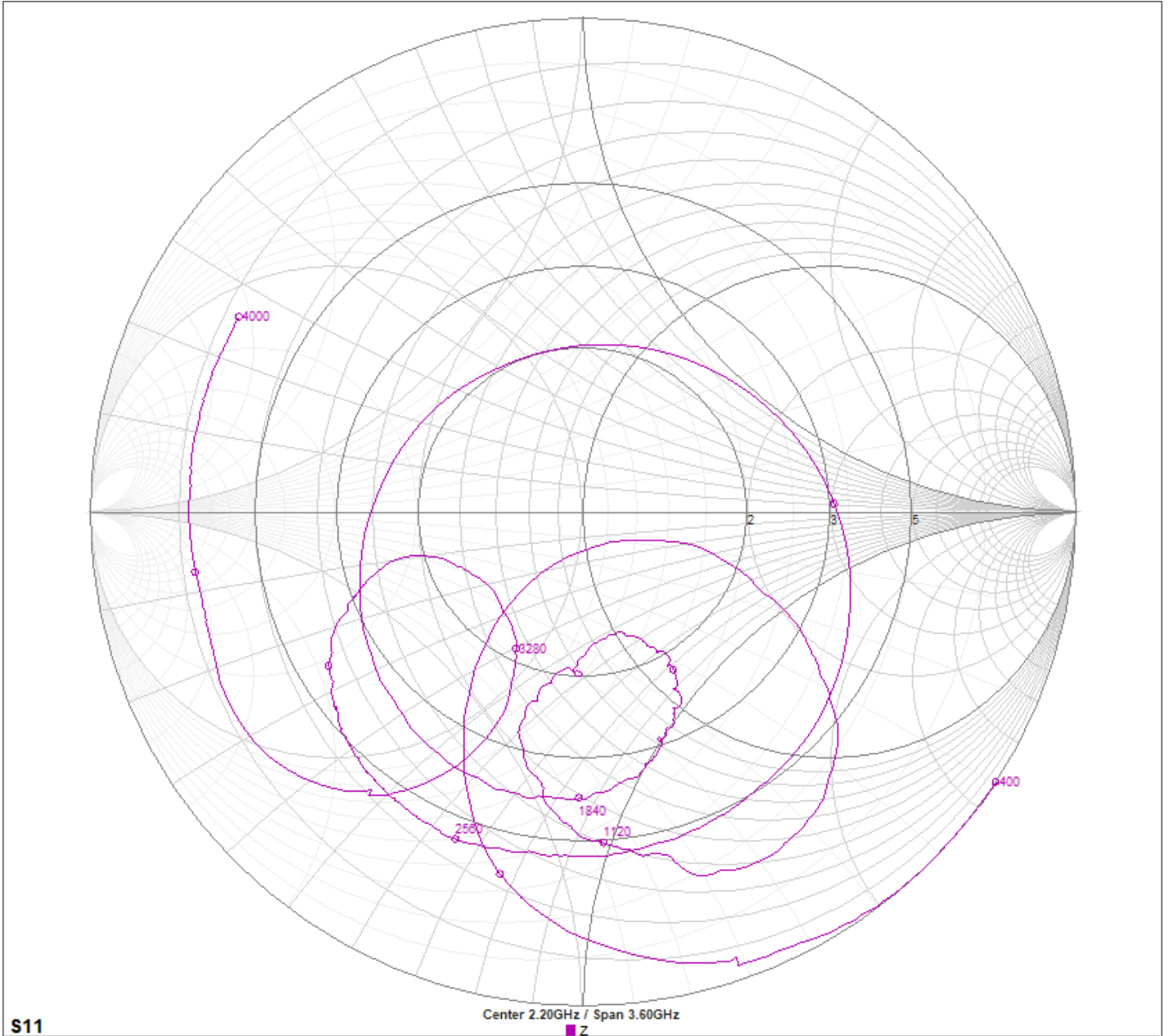


Forward Loss



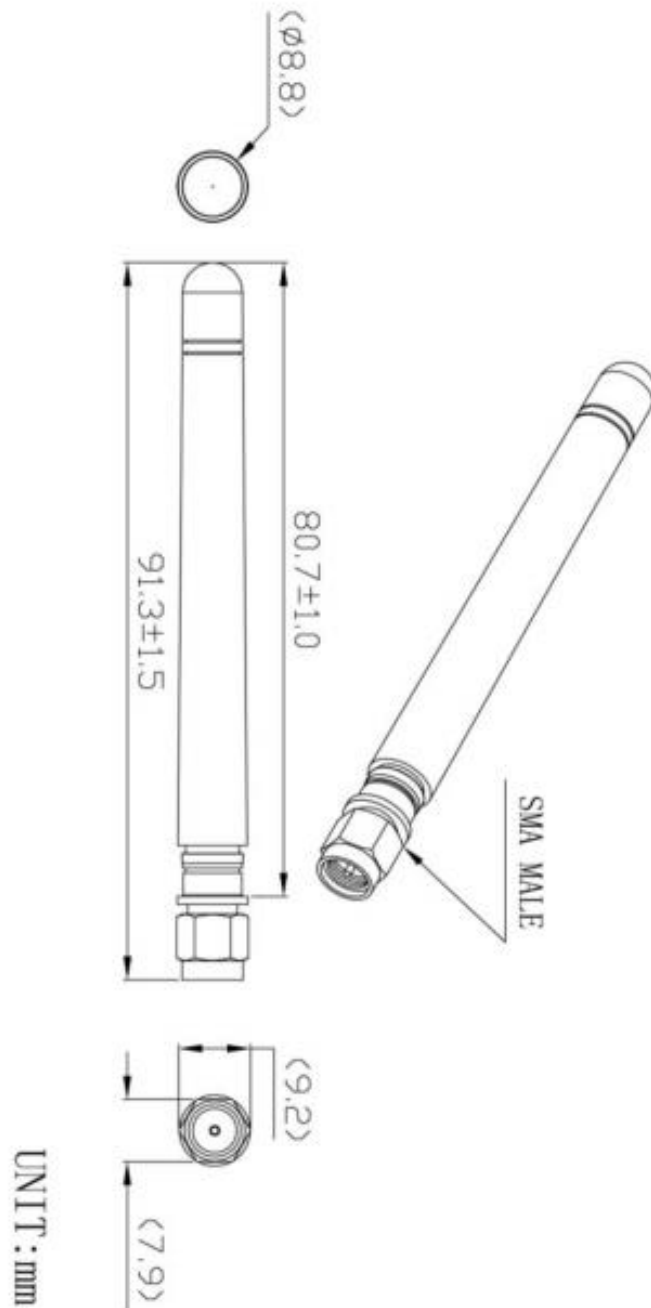
ERF4065 , UMTS antenna, SMA Male connector

Impedance



ERF4065 , UMTS antenna, SMA Male connector

Dimensions



ERF4065 , UMTS antenna, SMA Male connector

Different type of SMA connectors**SMA Male****SMA Female****RP-SMA Male****RP-SMA Female**

The ERF4065 antenna uses the SMA Male connector.

Ordering information

Ordering can be done via www.summit-electronics.com or via info@summit-electronics.com. Please contact us for more information. Customisation of the product is available on request.

Technical support

For all product questions please contact us via info@summit-electronics.com